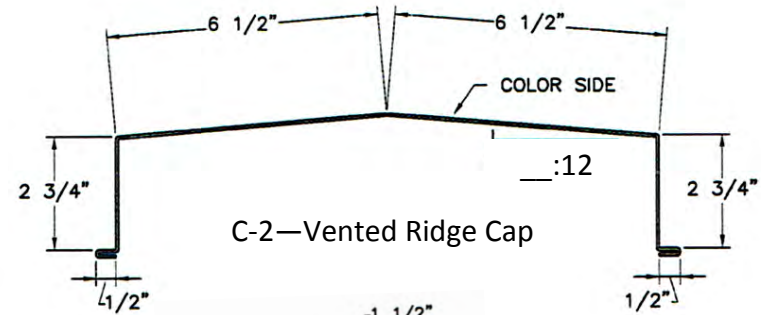
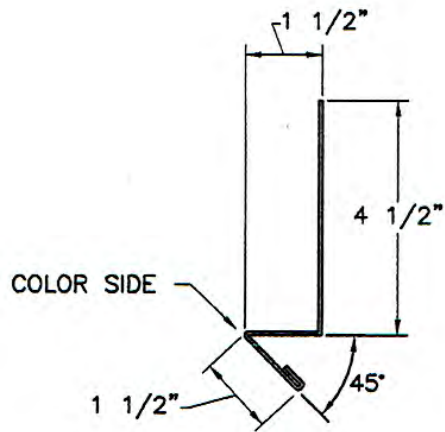


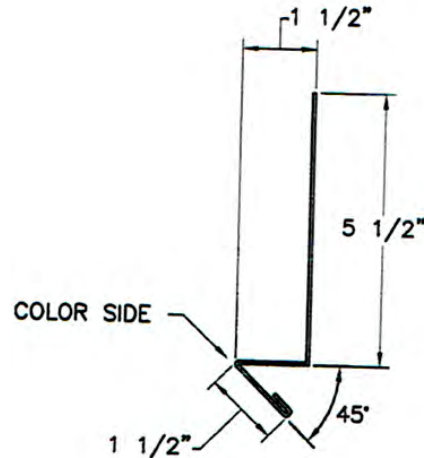
C-1—HHR Ridge Cap



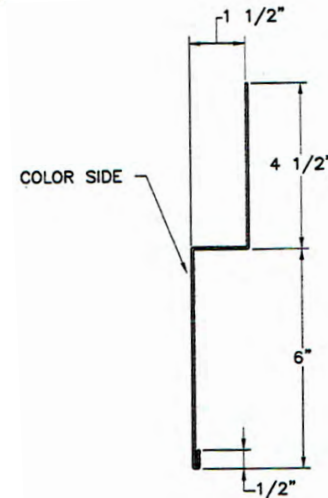
C-2—Vented Ridge Cap



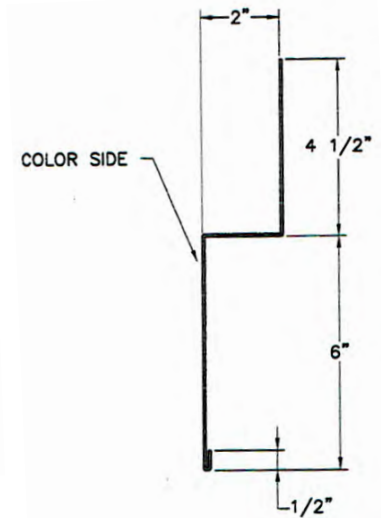
C-3—Standard Base Trim



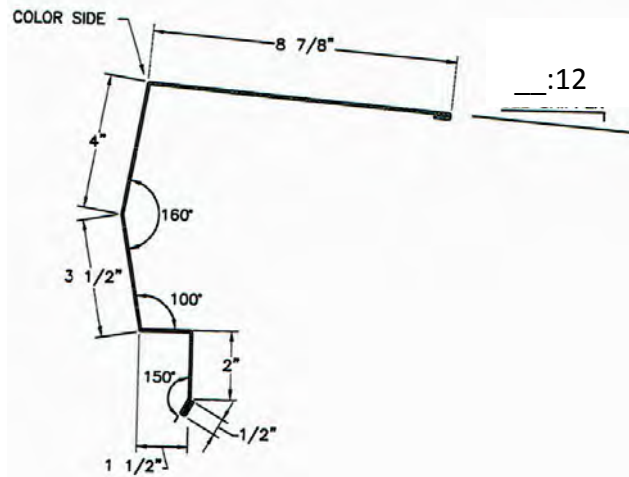
C-3BG—Base Trim



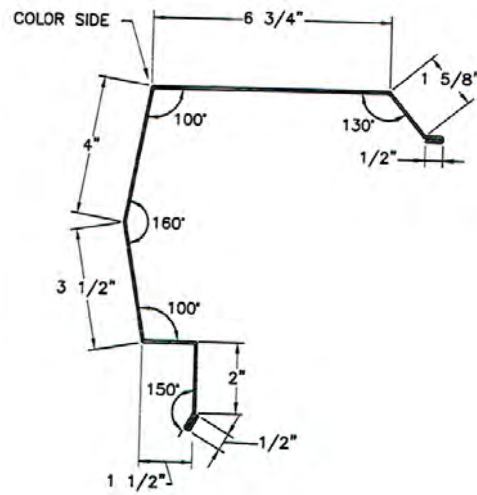
C-4—Base Trim



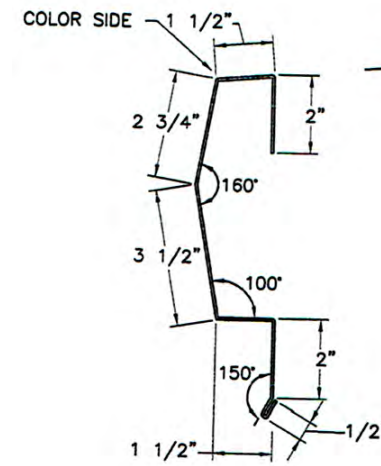
C-4A—Base Trim



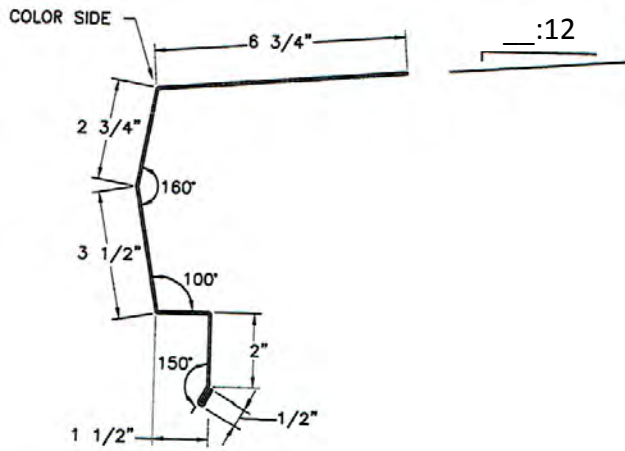
C-5—High Side Eave Trim



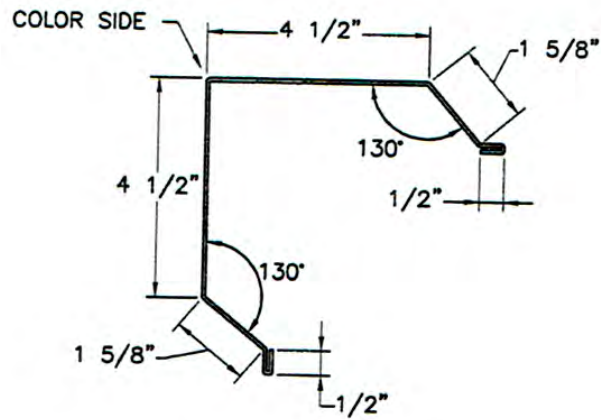
C-6—Rake Trim



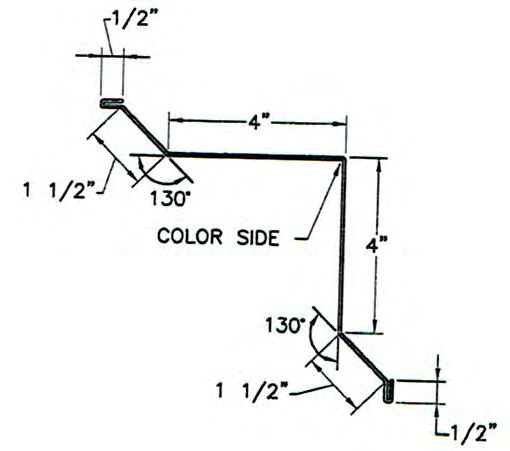
C-7—Eave Trim



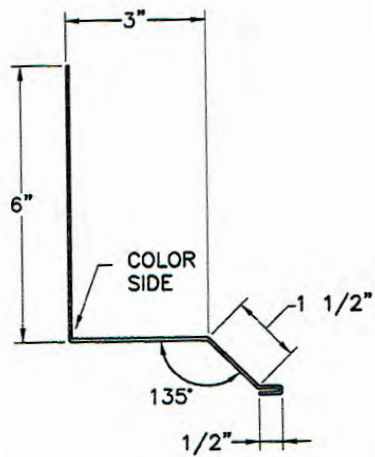
C-8—Optional Eave Trim



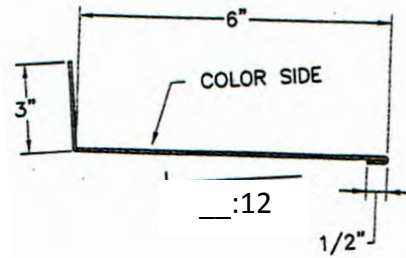
C-9—Outside Corner Trim



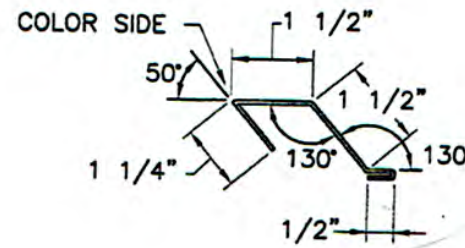
C-10—Inside Corner Trim



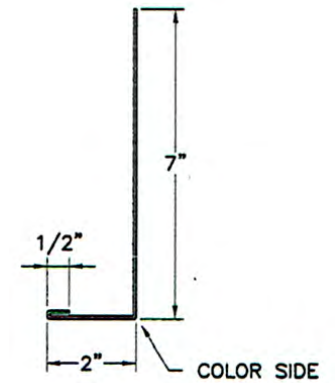
C-11—Roof To Wall Install



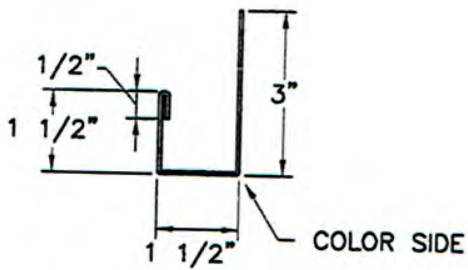
C-12—Roof To Wall Flash



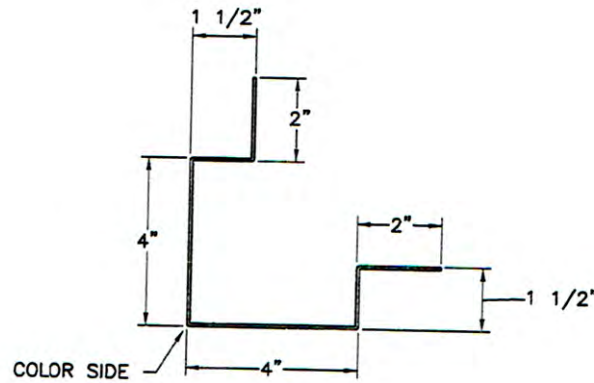
C-13—Jamb Trim



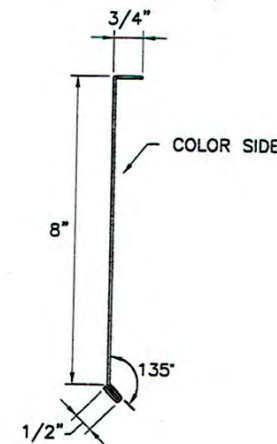
C-14—Jamb Wrap Trim



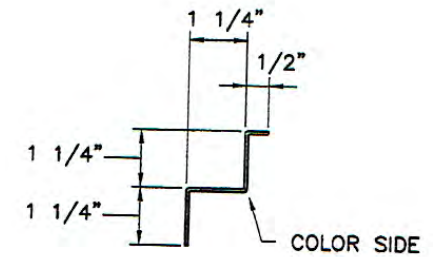
C-15—Head/Sill Trim



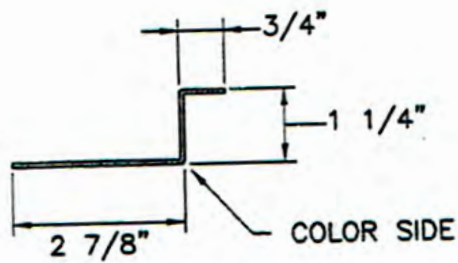
C-16—Fascia Trim



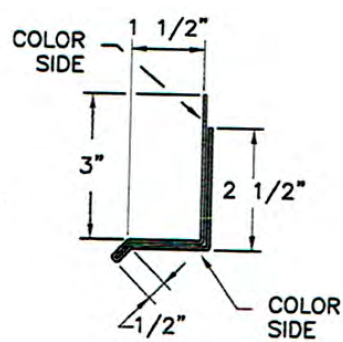
C-17—Gable Vent Trim



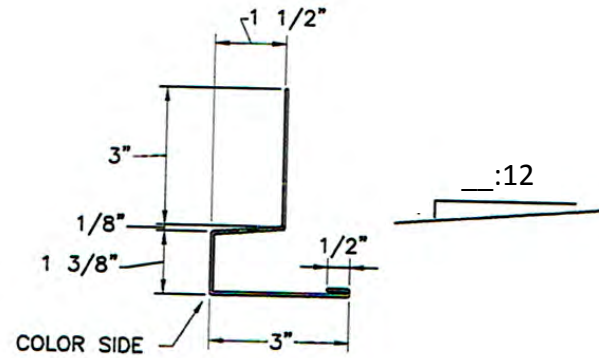
C-18—Wind Stop



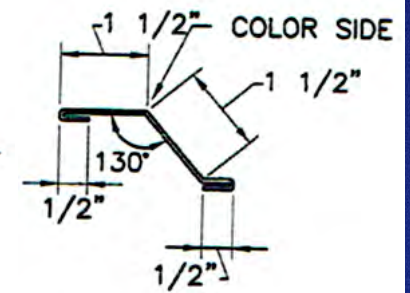
C-19—Skylite Insulation Trim



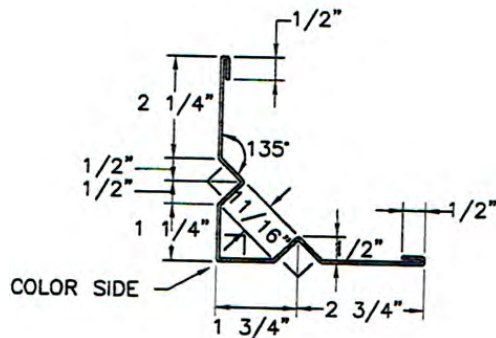
C-20—Drip Trim



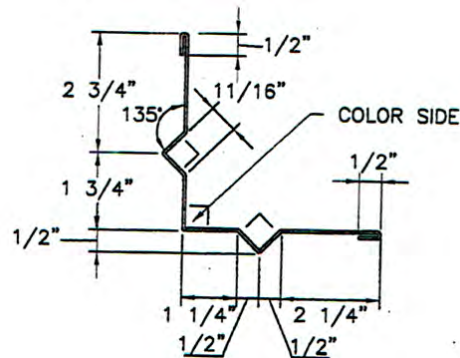
C-21—Fascia To Soffit



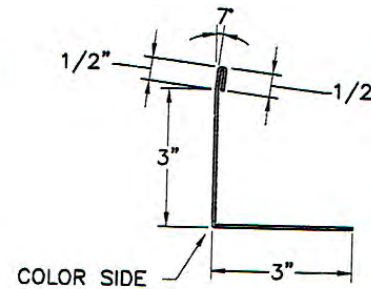
C-22—Jamb Trim



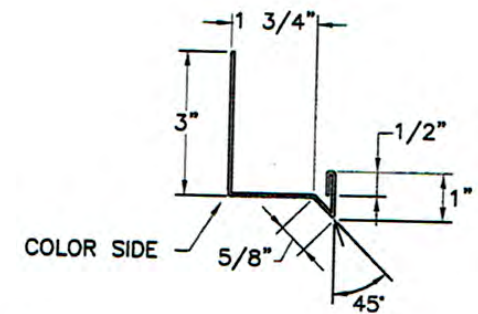
C-24—Outside Corner



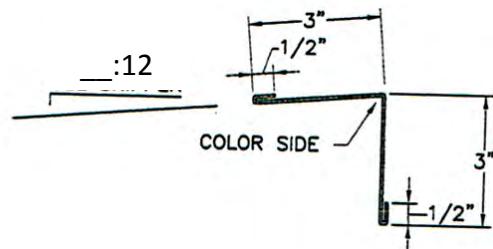
C-25—Inside Corner Trim



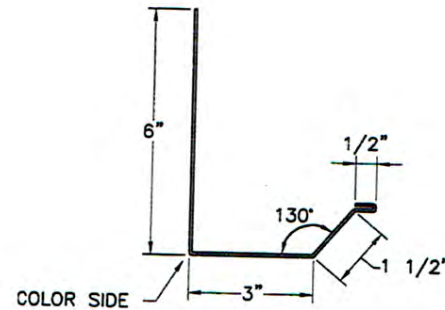
C-26—T-Block Closure



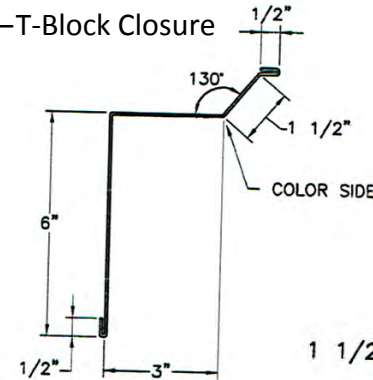
C-27—Head Trim



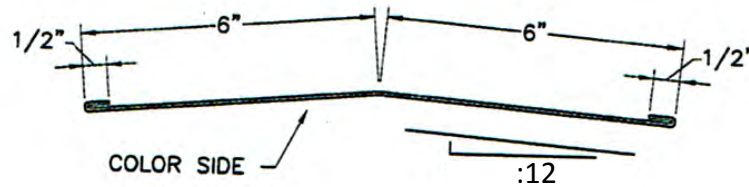
C-28—Soffit Inside Corner Flash



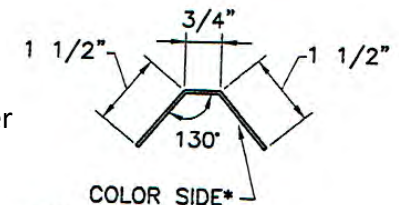
C-29—Soffit Outside Corner Trim



C-30—Soffit Inside Corner Trim



C-31—Liner Peak



NOTE:

- 1.) \* = WASH COAT OR MALIBU WHITE
- 2.) USE DROP MATERIAL

C-32—Sky Lite Insulation Trim